



WEIGHING INSTRUMENTATION

atex and stainless steel

DAT S 400 (ATEX 2,22)

Configuration and calibration from front panel or serial port with the program Inovation™ (MS Windows)

Upload and download function for programming in 1006 TESTER

10 points linearization

RS232 or RS422/RS485 serial output with MODBUS RTU or ASCII protocols selectable by the operator

ATEX certification, IP66/67, 2,22 (OPTION)

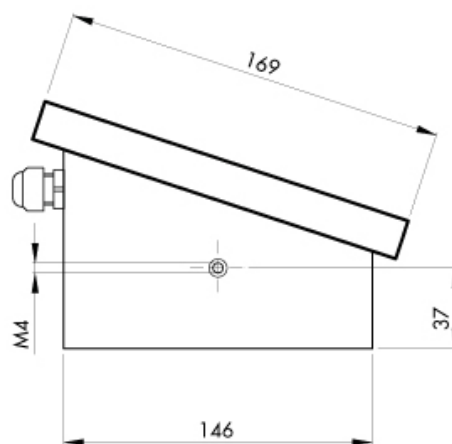
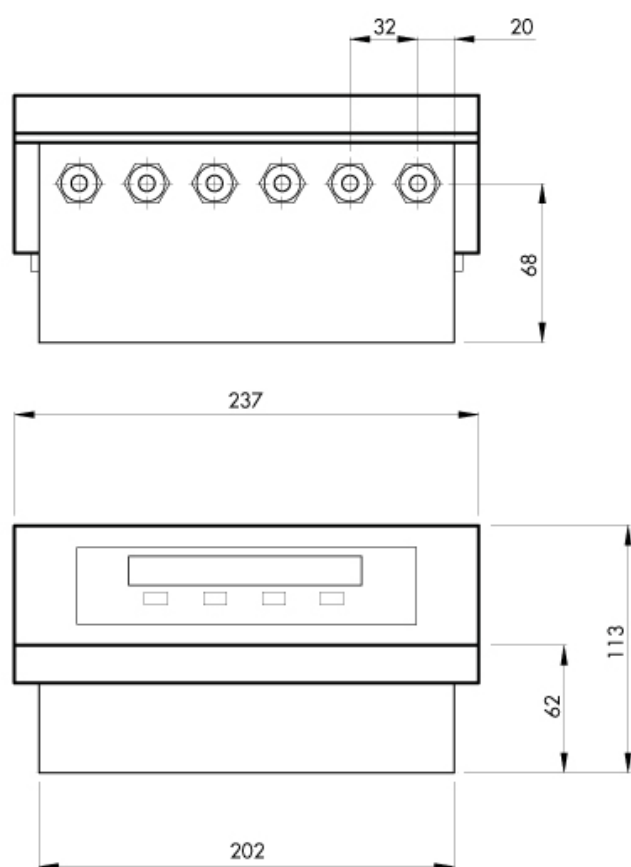
Directly connectable to the PROFIBUS fieldbus and DeviceNet option card

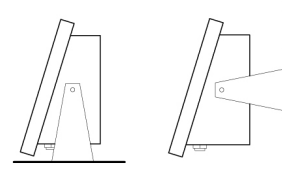
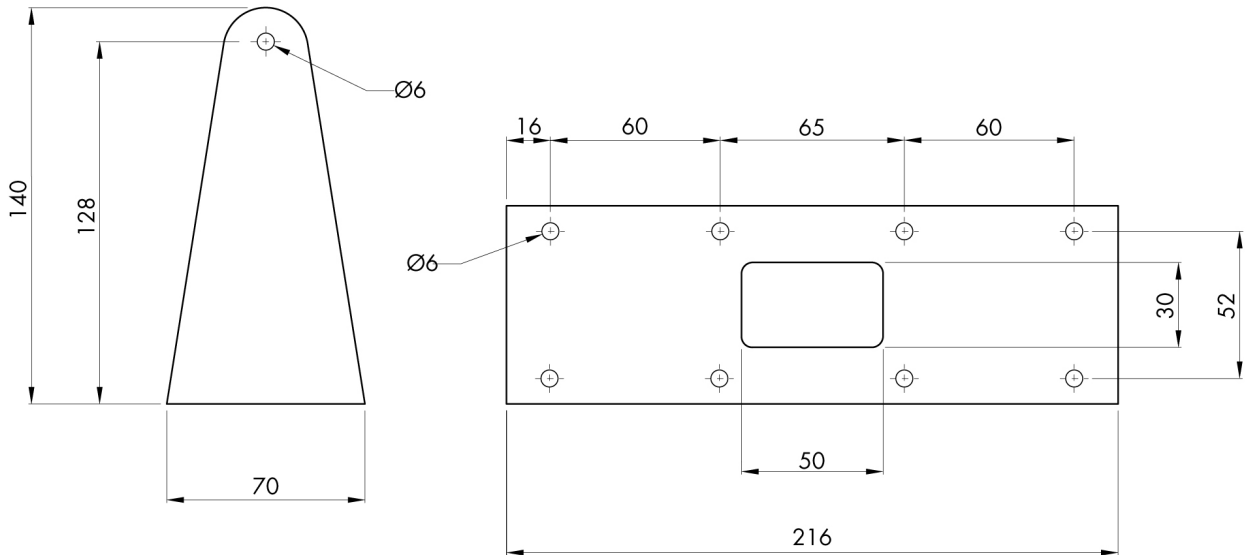
Optional analog output (0-20mA, 4-20mA, 0 to 5V, 0 ÷ 10V) adjustable all over the range

TECHNICAL CHARACTERISTICS DAT S 400 (ATEX 2,22)

Trasduttore voltage:	5 V (max 6 load cells 350 Ohm)
Measuring range:	-0.5 ÷ +3.5 mV/V (optional -3.9 ÷ +3.9 mV/V)
Offset, drift:	0.02 microV/°C
Linearity:	<0.01% of full scale
Gain drift:	<0.001% full scale/ °C
LED status:	4 red
D/A convertitor:	24 bit
Displayable resolution:	60.000 divisions displayable on net weight
Set decimal:	0.0 ; 0.00 ; 0.000
Filter:	adjustable 0.1 ÷ 25 Hz
Tool voltage:	24 V c.c. ±15% - power 5 W
Temperature range:	-10/+40 °C
Storage Temperature:	-20/+50°C
Logic output:	2 relays (clean contact) MAX 24 V c.c./100 mA cad.
Logic input:	2 optoisolated 24 V c.c. PNP (External voltage)
Serial door:	USB, RS232C o RS422/RS485 with ASCII or Modbus RTU protocols
Trasmission distance:	15m (RS232C), 1000m (RS422 e RS485)
Others fieldbus communication:	CANopen, Modbus-Plus and other
Peak Hold function:	for dynamic measures
Baud rate:	2400, 9600, 19200, 38400, 115200 adjustable
Regulatory compliance:	EN61326-1, EN55011 and EN55014 for EMC; EN61010-1 for electrical security
ATEX II 3 GD EEx nR IIC IP65 T6:	EN 13463-1: 2003; EN 60529: 1991 + A1: 2000 IEC 60079-0: 2004; IEC 60079-15: 2005
Analogic output (optional):	Optoisolated 16 bit, Tension:0÷5 or 0÷10V (R >10 K Ohm), Current: 0÷20 o 4÷20mA (R < 300 Ohm), Linearity: 0,03 of full scale
BCD optional output:	via external modules
FIELDBUS optional protocol:	PROFIBUS, DEVICENET
AC power supply:	115 / 230 Vdc 50/60 Hz







SCIGATE AUTOMATION (S) PTE LTD

No.1 Bukit Batok Street 22 #01-01 Singapore 659592

Tel: (65) 6561 0488

Fax: (65) 6562 0588

Email: sales@scigate.com.sg

Web: www.scigate.com.sg

Business Hours: Monday - Friday 8.30am - 6.15pm

